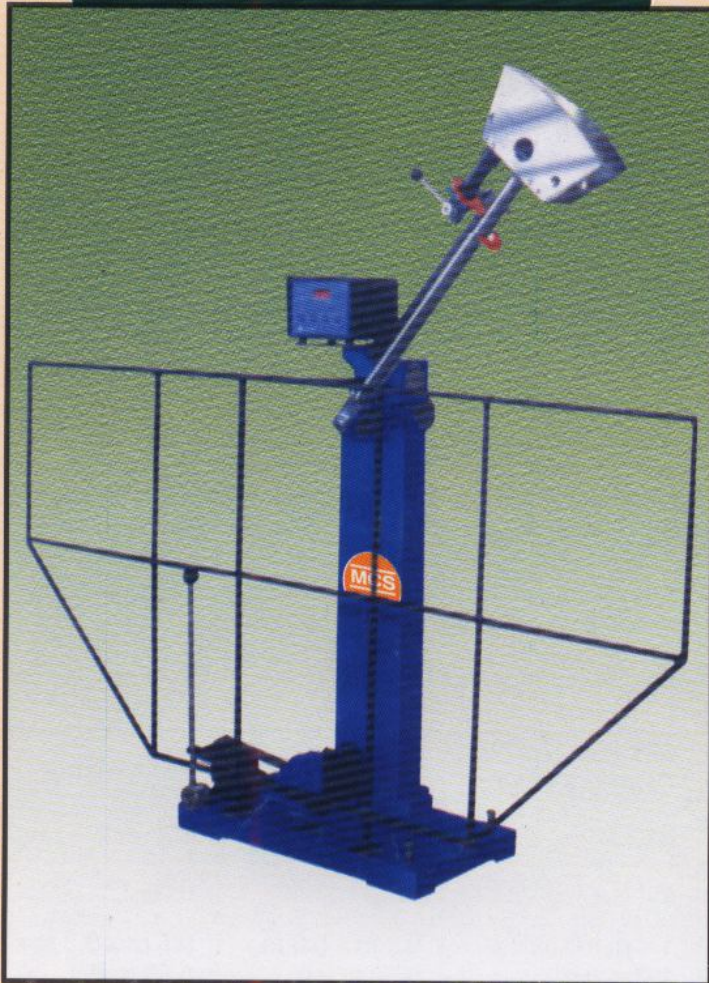




IMPACT TESTING MACHINE

MODEL : MIT-30 (E)



MODEL : MIT-30



GENERAL DISCRIPTION

MCS make Pendulum type Impact Testing Machine Model MIT-30 is designed for conducting Izod & Charpy test. The test confirms to BS:131: PART IV 1972 (1993) BSEN : 10045-2 : 1993.

The pendulum is mounted on antifriction bearings. It has two starting positions, for Charpy test pendulum starts from upper position & for Izod test it starts from lower position. The pendulum swings down to break the specimen and the energy absorbed in the specimen is between height of drop before rupture and the height of rise after rupture of test specimen. The reading is shown on dial scale from maximum pointer position. MCS has developed electronic model MIT - 30 (E) microprocessor based panel with digital display. The reading is directly available on digital display. It also provides printer interface.

There are two strikers and one combined support available for fitting in to the pendulum and on to the base of the machine for Izod, Charpy test. Changing from one striker to another is achieved simply by fixing the new striker into it's position.